

RUSTIC FIRE/CLAY CERAMIC INSET SINK CRT10101WH/

RANGEmaster
sinks & taps



Size: 1000 x 500 mm

Offering a modern, farmhouse feel, Rustic kitchen sinks are designed to cater the needs of an enthusiastic chef.

- Reversible drainer
- Waste kit included
- 10 year warranty

Material	Fire/clay Ceramic
Material Gauge	-
Material Finish Bowl	-
Material Finish Drainer	-
Drainer Position	Reversible
Overall Length (mm)	1000
Overall Width (mm)	500
Main Bowl Length (mm)	460
Main Bowl Width (mm)	390
Main Bowl Depth (mm)	195
Second Bowl Length (mm)	-
Second Bowl Width (mm)	-
Second Bowl Depth (mm)	-
Tap hole Size (mm)	-
Waste Size (mm)	1 x 90
Waste Kit:	Included with sink (1 x 90mm BSW & overflow kit)
Min. Base Unit (mm)	600
Cutout Size Length (mm)	980
Cutout Size Width (mm)	480
Warranty (years)	10
Product Code	CRT10101WH/
Barcode	5015834049250

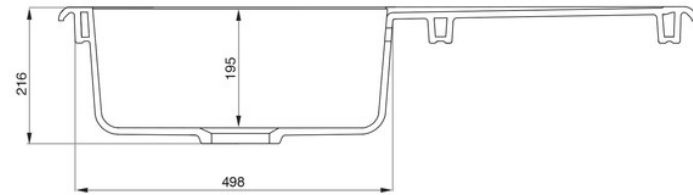
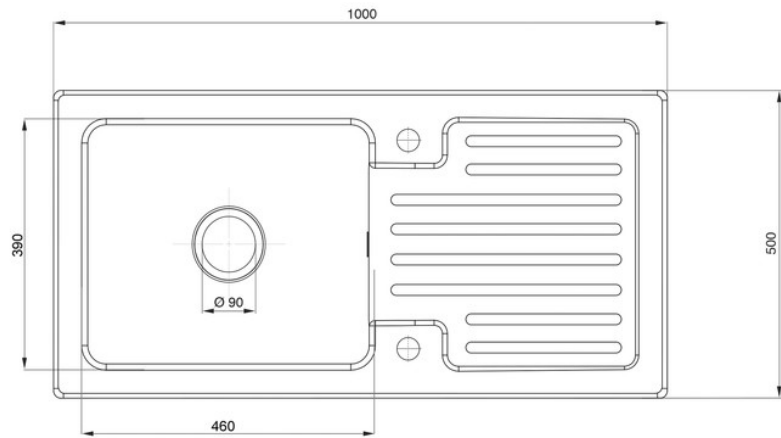
Date of download: February 20, 2021

AGA Rangemaster continuously seeks improvements in specification, design and production of products and thus, alterations take place periodically. Whilst every effort is made to produce up to date resources, the information included here is intended as a guide. Always refer to the installation instructions when fitting, installation work should be completed by a professional tradesman.

RUSTIC FIRE/CLAY CERAMIC INSET SINK

CRT10101WH/

Technical Drawing



NB: Due to manufacturing processes this sink may have a +/- 3mm tolerance on the measurements.

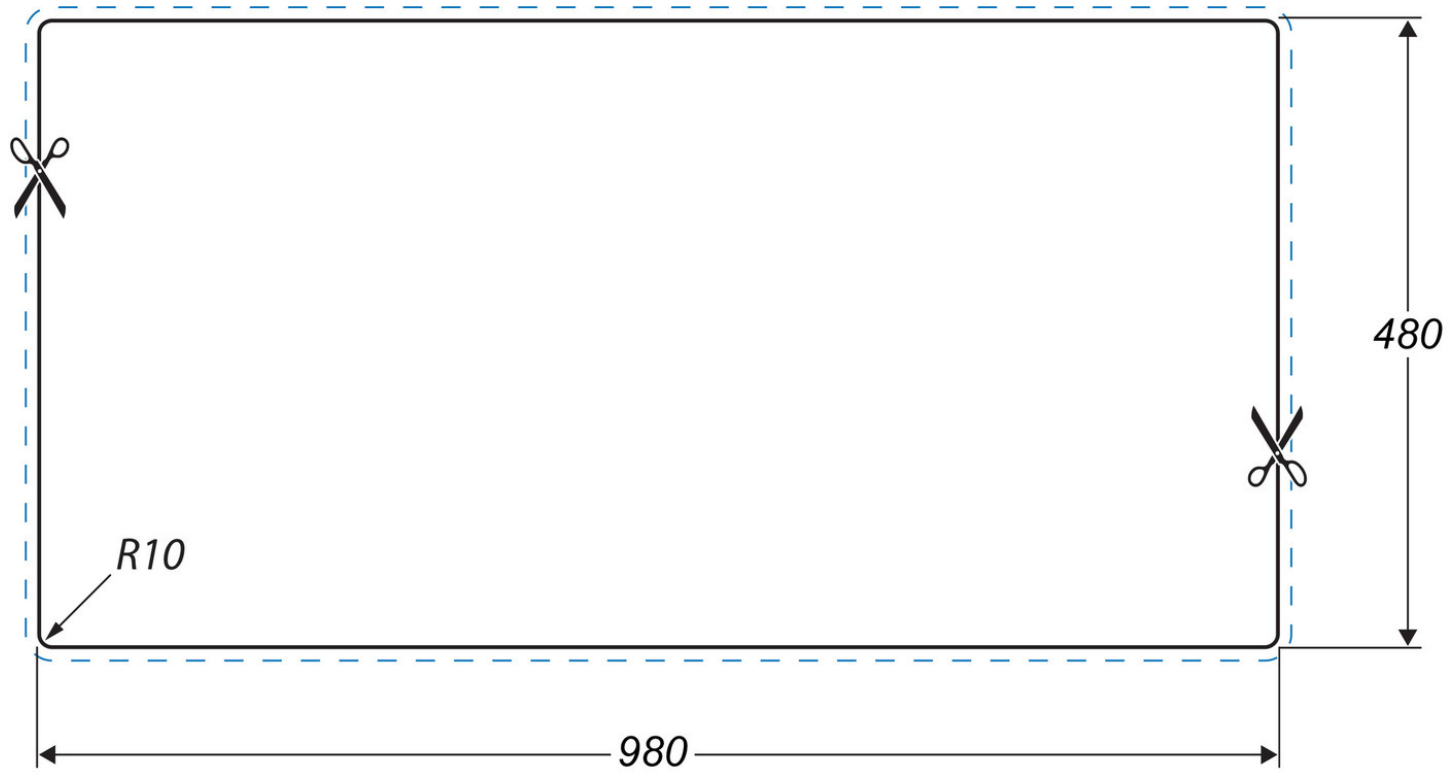
Date of download: February 20, 2021

AGA Rangemaster continuously seeks improvements in specification, design and production of products and thus, alterations take place periodically. Whilst every effort is made to produce up to date resources, the information included here is intended as a guide. Always refer to the installation instructions when fitting, installation work should be completed by a professional tradesman.

RUSTIC FIRE/CLAY CERAMIC INSET SINK

CRT10101WH/

Cut Out Template
Dimensions in mm. Not to scale.



Date of download: February 20, 2021

AGA Rangemaster continuously seeks improvements in specification, design and production of products and thus, alterations take place periodically. Whilst every effort is made to produce up to date resources, the information included here is intended as a guide. Always refer to the installation instructions when fitting, installation work should be completed by a professional tradesman.