

# 311 & 312

safety relief valve



altecnic  
Caleffi group

# 311 & 312 safety relief valve



series 311



series 312

## Application

The Altecnic series 311 and 312 safety relief valves are used in domestic hot water systems to protect the hot water cylinder and in heating systems to protect boiler and other components.

The valve is selected for the required set pressure. As the pressure rises, when the discharge pressure is reached the valve opens and discharges to atmosphere, preventing the pressure within the system reaching levels which would be dangerous for the boiler, hot water storage cylinder and any personnel in the adjacent vicinity.

## Construction Details

Component	Material	Grade
Body	Brass	BS EN 12165 CW617N
Cover	Brass	BS EN 12165 CW617N
Stem	Brass	BS EN 12164 CW614N
Diaphragm	EPDM	
Spring	Stainless steel	
Control Knob	ABS Polymer	

Product Code	Set Pressure bar	Discharge Pressure bar	Re-Seating Pressure bar	Discharge Flowrate kg/hr	Max Boiler Rating kW
<b>Series 311 Range</b>					
311425	2.5	3.0	2.0	124.4	72.3
311430	3	3.6	2.4	142.1	82.5
311460	6	7.2	4.8	248.8	144.6
311470	7	8.4	5.6	284.3	165.2
311480	8	9.6	6.4	322.7	187.5
311525	2.5	3.0	2.0	124.4	72.3
311530	3	3.6	2.4	142.1	82.5
311560	6	7.2	4.8	248.8	144.6
311570	7	8.4	5.6	284.3	165.2
311580	8	9.6	6.4	322.7	187.5

## Series 312 Range

312405CST	4	4.8	3.2	178.2	103.3
312425	2.5	3.0	2.0	124.4	72.3
312430	3	3.6	2.4	142.1	82.5
312460	6	7.2	4.8	248.8	144.6
312470	7	8.4	5.6	284.3	165.2
312480	8	9.6	6.4	322.7	187.5CE

## Mark

Series 311 & 312 safety relief valves meet the requirements of the European Directive 97/23/CE for pressurised equipment often referred to PED.

They are therefore classified in Category IV and granted the CE Mark.

Altecnic Ltd Mustang Drive, Stafford, Staffordshire ST16 1GW

T: +44 (0)1785 218200 E: sales@altecnic.co.uk

Registered in England No: 2095101

altecnic.co.uk

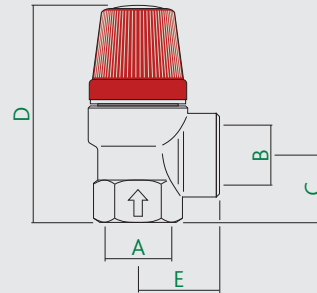
AL 002 04-01-19

E & O.E

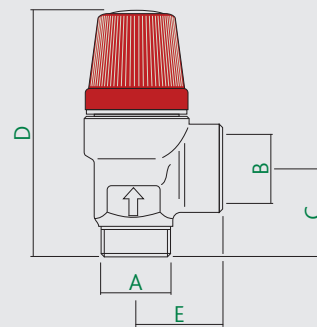
© Altecnic Limited. 2019

ALTECNIC™

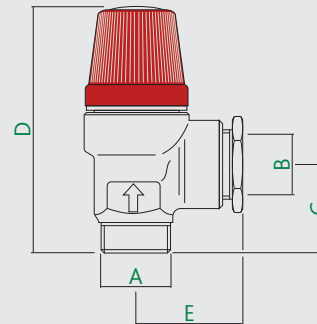
## Dimensions



Prod Code	A	B	C	D	E	kg
3114	G½	G½	20	66	26	0.13
3115	G¾	G¾	24	28	28	0.20



Prod Code	A	B	C	D	E	kg
3124	G½B	G½	24	70	26	0.13



Prod Code	A	B	C	D	E	kg
312405CST	G½B	15mm	24	70	32	0.15

## Technical Data

Medium:	water and air
Temperature range:	5 to 110°C
Set pressure range:	2.5 to 8 bar
Max. static pressure:	10 bar
PED category:	IV
WRAS approved product	

**altecnic**  
Caleffi group