



## JAY T-BAR SLIDE RAIL KIT



DOMESTIC



HOTEL & LEISURE



0.5 - 5.0 BAR



### PRODUCT INFORMATION

MYK116

Jay T-Bar thermostatic shower and slide rail kit

### SPECIFICATIONS

**Minimum operating pressure: 1 bar**

Fast fit bracket (pair) included

3 function handset

1.5m shower hose

Manufactured to TMV2

**MATERIAL**  
**COLOUR/FINISH**  
**APPROVALS**

Brass  
Chrome

This product should be fitted in accordance with relevant *Water Byelaw Regulations*  
Wall mounted using fittings provided  
(do not overtighten)

### FIXING

**PRODUCT DIMENSIONS**  
**ADDITIONAL INFORMATION**

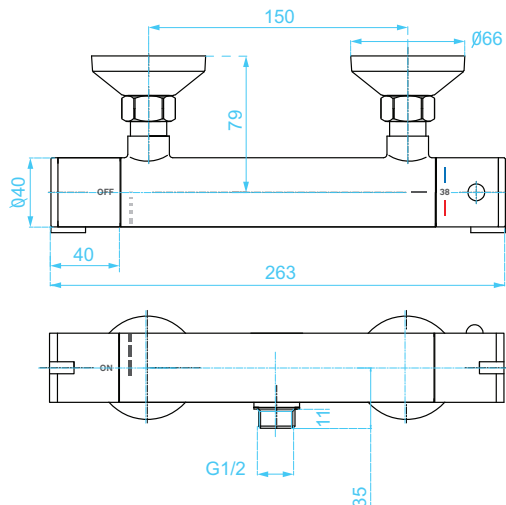
Please refer to technical line drawing  
Suitable for the following plumbing systems:  
pumped, unvented or combi systems.  
For a full range of brassware products please refer to [www.sonasbathrooms.com](http://www.sonasbathrooms.com)

### FLOW RATE

<b>0.5 bar</b>	4 Litres per min
<b>1 bar</b>	6.5 Litres per min
<b>1.5 bar</b>	8 Litres per min
<b>2 bar</b>	9 Litres per min
<b>3 bar</b>	11 Litres per min



Fast fit bracket (pair) included



### WARRANTY

- 5 year warranty** on SONAS showers applies to chrome finish and main body of products. All surfaces must be cleaned with warm soapy water and dried with soft cloth only. The use of abrasive cleaners or materials will render warranty invalid.
- Warranty excludes** perishable items such as thermostatic cartridges, hoses, hand showers and washers, which are covered by a 2 year warranty.
- Suitable access should be provided for in order for products or parts to be replaced under warranty. In the event that no access is provided, labour cost claims cannot be upheld.