

ASCOT BASIN MONO & BIDET MONO



DOMESTIC



0.1 - 0.2 BAR



0.5 - 5.0 BAR

PRODUCT INFORMATION

MAY7005CP

Ascot Basin Mono including 1 1/4" click clack basin waste - 0.1 bar

MAY7006CP

Ascot Bidet Mono including 1 1/4" click clack basin waste - 0.1 bar



RELATED PRODUCTS IN RANGE

MAY7001CP

Ascot 1/2" Basin Taps - 0.1 bar

MAY7002CP

Ascot 3/4" Bath Taps - 0.1 bar

MAY7004CP

Ascot Bath Shower Mixer including handset - 0.1 bar

SPECIFICATIONS

Minimum operating pressure 0.1 bar

Compression valves for rotational open and closing

Hot and cold indexes

MATERIAL

Brass

COLOUR/FINISH

Chrome

APPROVALS

This product should be fitted in accordance with relevant *Water Byelaw Regulations*

FIXING

Deck mounted using back nuts provided (*do not overtighten*)

PRODUCT DIMENSIONS

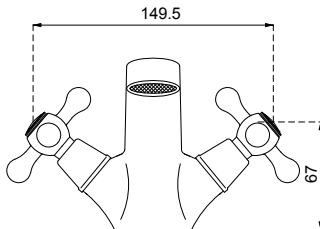
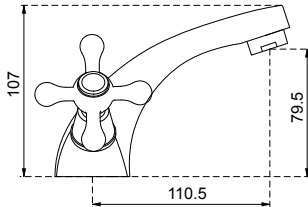
Please refer to technical line drawing

ADDITIONAL INFORMATION

Suitable for the following plumbing systems:
Gravity fed, pumped, unvented or combi systems.

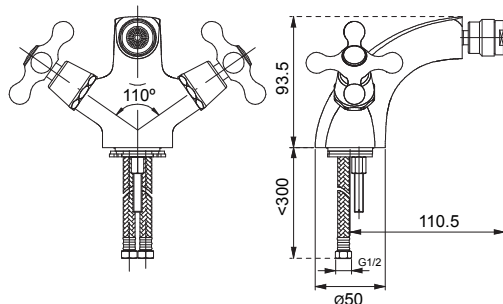
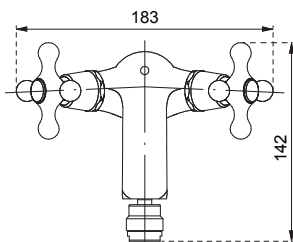
For a full range of brassware products please refer to

www.sonasbathrooms.com



Ascot basin mono ▲

Ascot bidet mono ▼



WARRANTY

- **5 year warranty** on taps applies to chrome finish and main body of products. All surfaces must be cleaned with warm soapy water and dried with soft clothes only. The use of abrasive cleaners or materials will render *warranty invalid*. Flexible tail connections, hoses and handsets are covered by a *1 year guarantee*.
- **Do not over tighten** flexible tail connections as this may result in later failure of the fitting.
- To enable each supply to be individually isolated product should be fitted with individual isolating valves, claims will be dealt with on that basis.
- Suitable access should be provided for in order for products or parts to be replaced under warranty. In the event that *no access* is provided, labour cost claims *cannot* be upheld.

