

MONSOON

Universal Twin Pumps

Fully automatic Universal Twin pumps are designed for installation into vented systems to pump both the hot and cold water supplies boosting both equally. Suitable for both positive and negative head applications and designed to boost hot and cold water services within the property.

Monsoon Universal pumps do not require a gravity flow of water to start and are ideal for pressurising the supply in applications where outlets are higher than the water source, such as a loft conversion or where it is uncertain if a positive flow of water exists.

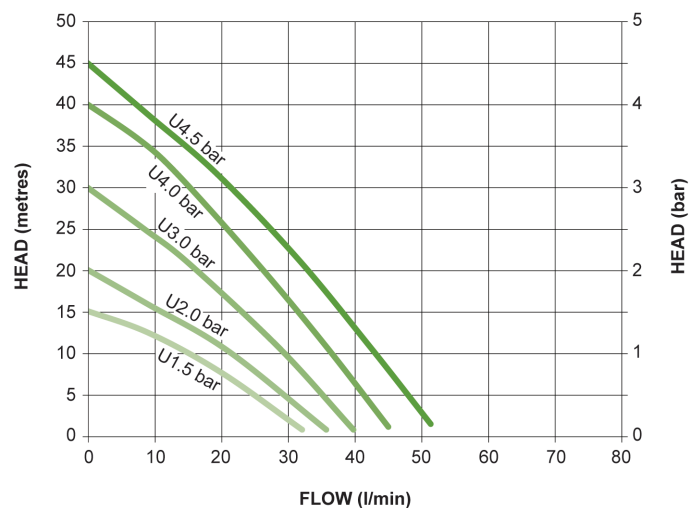


Features

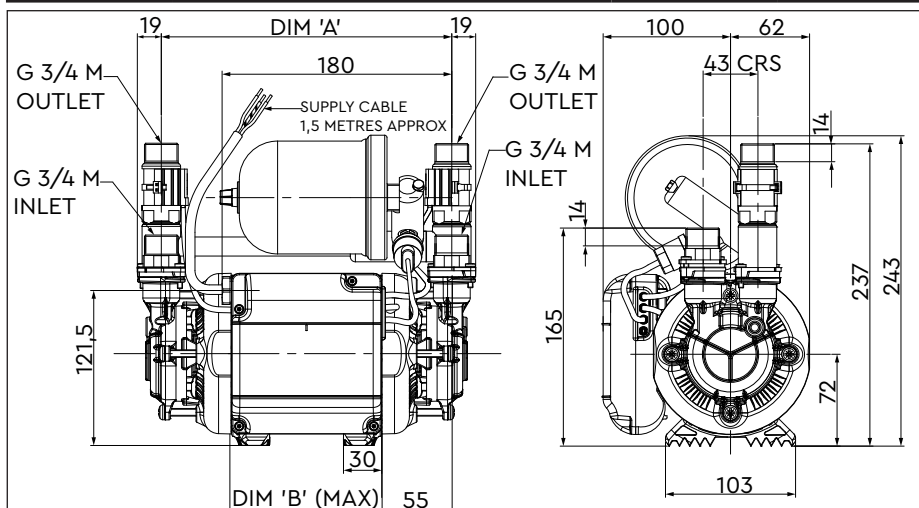
- 5 year guarantee
- 1.5 – 4.5 bar options
- Suitable for positive or negative head applications
- Premium quality brass pump supplied with flexible hoses with integral ISO valves
- Very quiet operation
- WRAS approved product
- Continuously rated
- Anti-vibration feet
- EPDM/PTFE/Al. Oxide seal
- Pre-wired with 1.5 metre power cable
- **UK Specification:** Supplied with 22 mm push-in x 300 mm anti-vibration flexible hoses with integral isolating valves
- **ROI Specification:** Supplied with 21 mm push-in x 300 mm anti-vibration flexible hoses with integral isolating valves
- **Export Specification:** Supplied with G 3/4 female x 300 mm long hoses

Application

- Boosting hot and cold water supplies to taps, showers, a complete bathroom or the whole house in low pressure gravity systems
- Suitable for use where there is less than 1 litre/min flow from the outlet(s) to be boosted



Pump Model		U1.5 bar Twin 46505	U2.0 bar Twin 46480	U3.0 bar Twin 46410	U4.0 bar Twin 46411	U4.5 bar Twin 46412
General	Guarantee	5 years				
	WRAS approval	1906076				
	Approvals	WRAS, CE				
Features	Pump type	Peripheral				
	Mechanical seal	EPDM / PTFE / Al. Oxide				
	Anti-vibration feet	✓	✓	✓	✓	✓
	Inlet strainer(s)	✓	✓	✓	✓	✓
	Flexible hoses	4	4	4	4	4
	Run on Timer	3 sec	3 sec	3 sec	3 sec	3 sec
	Dry run protection	✓	✓	✓	✓	✓
	Typical noise	48 dB(A)	52 dB(A)	54 dB(A)	56 dB(A)	57 dB(A)
Materials	Pump body	Brass				
	Impeller	Brass				
Performance	Maximum head – closed valve	1.5 bar (15 metres)	2.0 bar (20 metres)	3.0 bar (30 metres)	4.0 bar (40 metres)	4.5 bar (45 metres)
	Performance @ 9 l/min	1.3 bar	1.5 bar	2.5 bar	3.5 bar	3.8 bar
	Performance @ 18 l/min	0.8 bar	1.1 bar	1.9 bar	2.8 bar	3.2 bar
	Maximum flow	32 l/min	35 l/min	40 l/min	45 l/min	51 l/min
	Maximum static inlet pressure	8 metres			12 metres	
	Maximum static outlet pressure	8 metres			12 metres	
	Maximum working pressure*	600 kPa (6 bar)				
	Maximum ambient air temperature	40 °C				
	Min / Max water temperature**	Min 4 °C / Max 65 °C				
	Flow switch sensitivity	0.6 l/min (approx)				
Connections	Pump connections	G ¾ male				
	Flexible hoses	G ¾ female x 22 mm push-in x 300 mm long, isolating valves on all hoses				
Motor	Type	Induction, auto-reset thermal trip				
	Duty rating	Continuous (S1) @ 9 l/min and above***				
	Electrical	230 V a.c. / 1 / 50 Hz				
Electrical	Power supply (Vac/Ph/Hz)	230 V a.c. / 1 / 50 Hz				
	Current – full load	1.5 Amps	1.9 Amps	2.9 Amps	3.9 Amps	5.1 Amps
	Power consumption – P1	355 Watts	435 Watts	655 Watts	875 Watts	1135 Watts
	Fuse rating	5 Amps			13 Amps	
Physical	Power cable length	1.5 metres (pre-wired)				
	Enclosure protection	IPX4				
	Length	265 mm			300 mm	310 mm
	Width	162 mm				
	Height – excluding hoses	243 mm				
Physical	Weight – including fittings	8.8 Kg	8.8 Kg	9.2 Kg	11.1 Kg	11.6 Kg



* The maximum pressure that can be applied to the pump under any installation conditions.

** A stored water temperature of 60 °C is considered sufficient to meet all normal requirements and will minimise deposition of scale in hard water areas.

*** Both heads pumping 4.5 l/min and above.

Pump Description	Dim. 'A'	Dim. 'B'
U1.5 bar Twin	227 mm	119 mm
U2.0 bar Twin	227 mm	119 mm
U3.0 bar Twin	227 mm	119 mm
U4.0 bar Twin	262 mm	154 mm
U4.5 bar Twin	272 mm	164 mm

Stuart Turner Limited reserves the right to amend specifications without notice.