



# TERANNA

COMPOSITE DECKING



EVER-DECK

EVER-SHIELD

## PLANNING AND INSTALLING



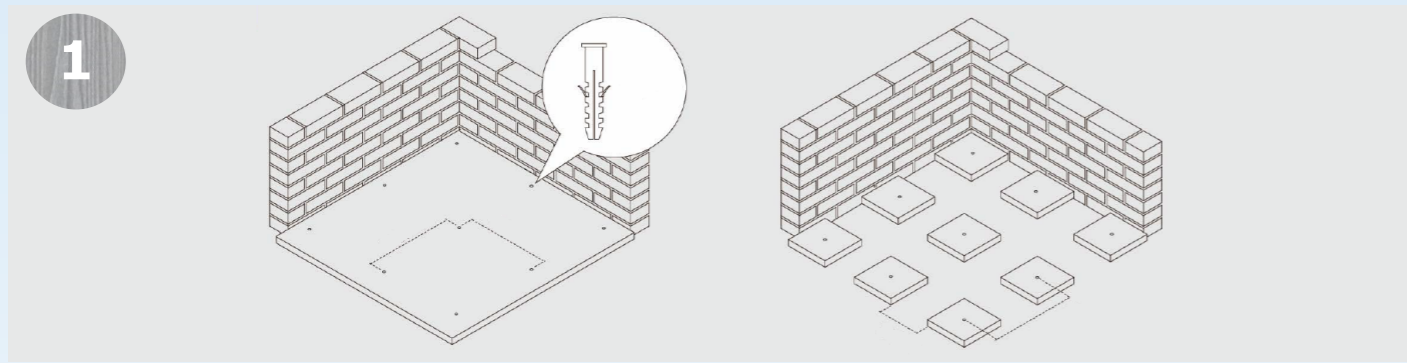
# PLANNING AND INSTALLING

## BEFORE BEGINNING THE WORK

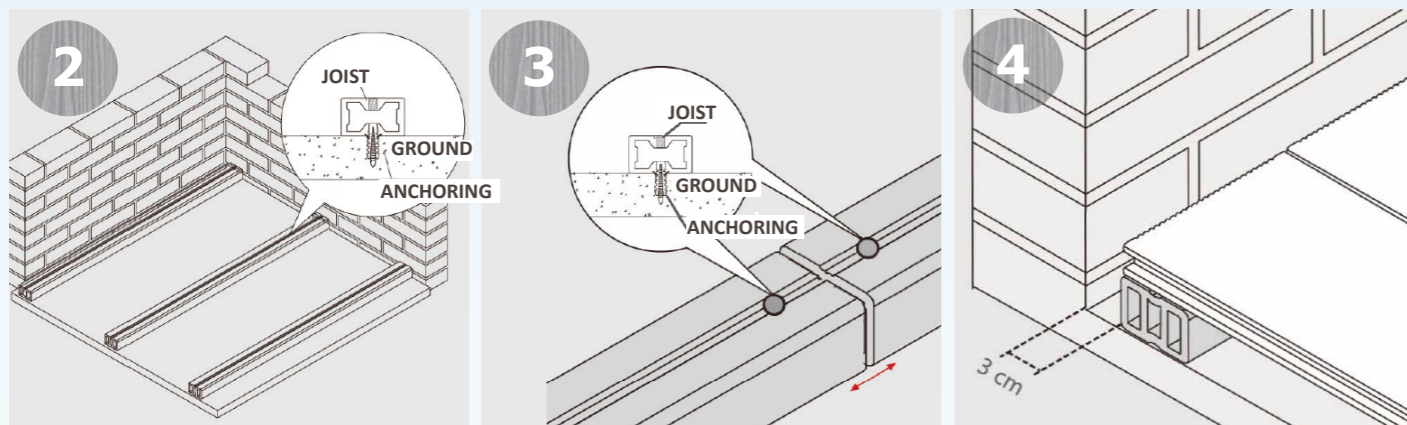
Having taken delivery of your boards, we recommend you allow them a day to adjust to your local temperature and conditions before starting work. We do not recommend installing your deck in cold weather. Your WPC decking boards can be worked with normal woodworking tools. We recommend using a wood saw with a fine-tooth blade to cut boards to size. When cutting, care should be taken to ensure that boards are properly supported.

*As with other building work it is important to work safely and to take suitable safety precautions including the wearing of protective clothes, gloves, safety goggles and dust mask.*

## INSTALLING



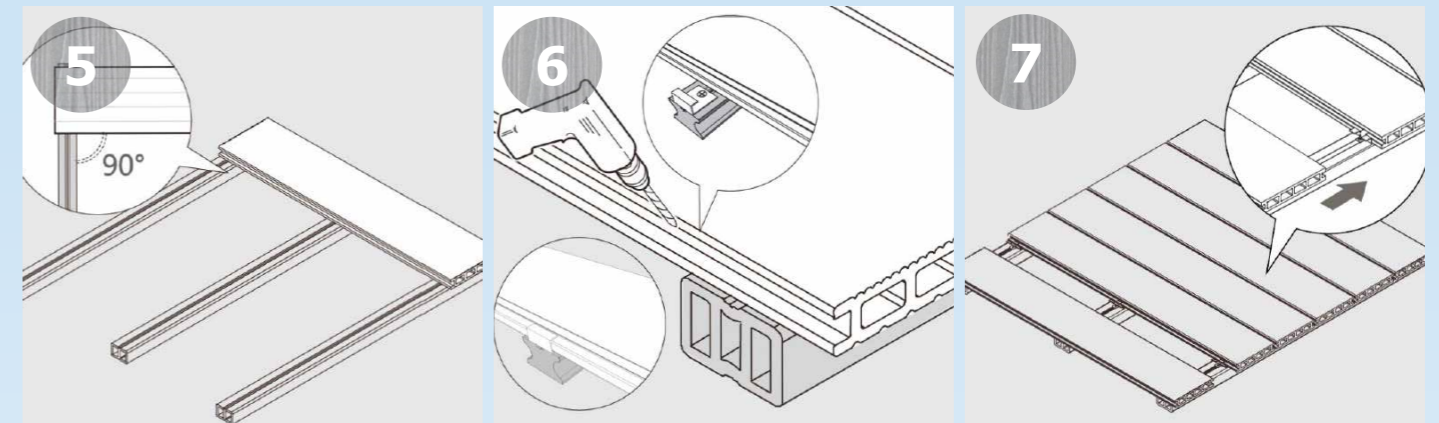
Punching holes  $\Phi 6$  in the installation area with impact drill. Recommended width ways and lengthways distance between two holes is 350mm. Knock the plastic expansion pipe  $\Phi 6$  into the holes and make sure it is tight enough and will not expose.



Take expansion pipes as centre line and lay the joists (cut if necessary) on the line. Drill corresponding holes in the joists and fix the screws into the expansion pipes through the holes.

Extra fixing of expansion bolts are necessary on both joists near juncture. The holes should be at least 3cm to the end of joist.

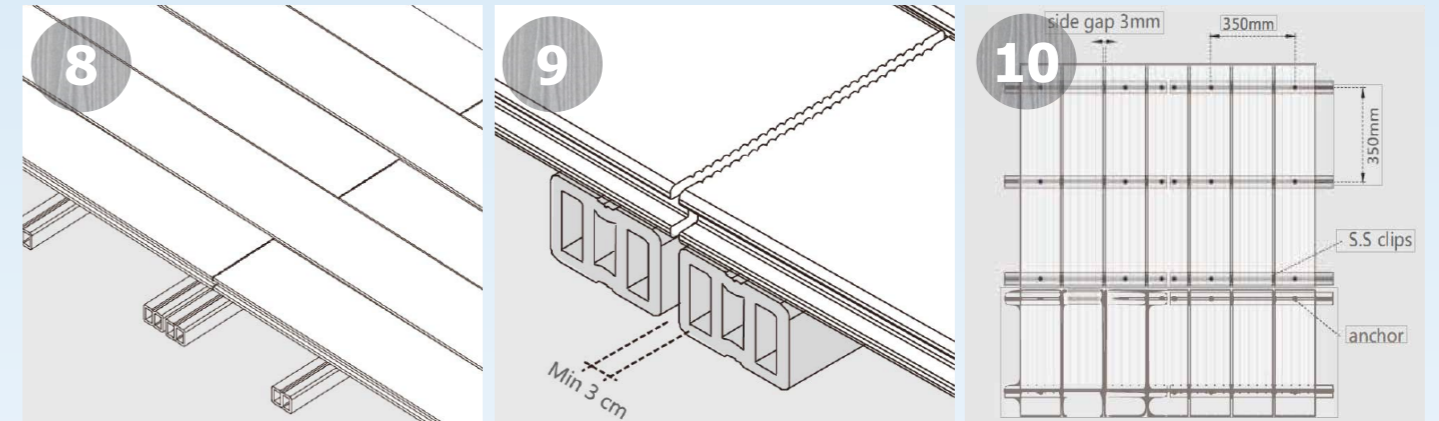
Allowing for the expansion and maintenance, sufficient distance around your terrace and by obstructions such as walls, fences, trees, etc. should be at least 3cm.



Put first decking planks on vertical way of joists, fasten the first plank by Starting Clips at outside of decking. The position and direction of first plank should be accurate guaranteed to be the reference for the following planks.

First plank should be fasten by Starting Clips.

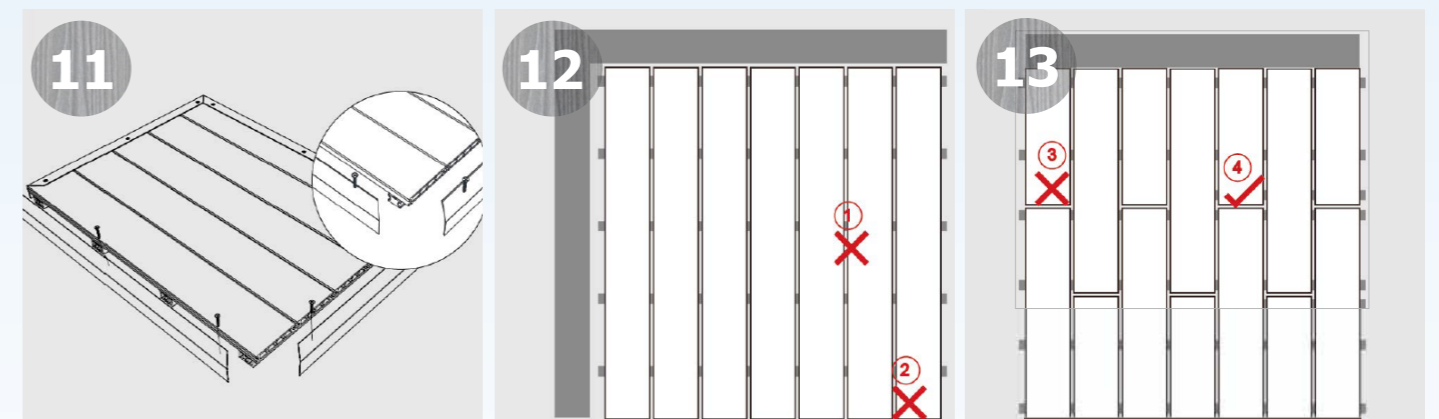
Place the Stainless steel clips in the right position and screw it. Insert the second plank into the clips then repeat this process.



Two joists are needed for each plank at the jointure.

In case of the deformation caused by temperature change, joists should not be too tightly connected. We recommend the distance between two joists is 3cm.

Review of the whole decking system.

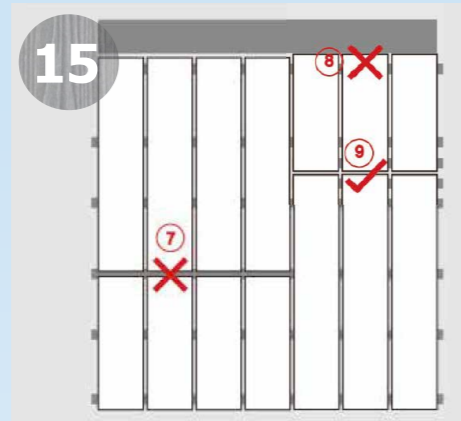


Fasten the finishing strip with screws.

(1) Single deck should not be over 4000 mm.  
(2) The end edge of the deck are too far away from the joist

(3) Two joists are not used for each plank at the jointure.  
(4) Two joists are needed for each plank at the jointure.

## FREQUENTLY ASKED QUESTIONS



- (5) Two joists are needed for each plank at the jointure.
- (6) The space for each plank at the jointure should be over 3mm.
- (7) Two joists are not used for each plank at the jointure.
- (8) The end edge of the deck should not be too close to the wall.
- (9) Two joists are needed for each plank at the jointure and with right space between two decks.

## CARE AND MAINTENANCE

All exterior building products require periodic cleaning and Teranna decking is no different – thankfully Teranna requires very little! Cleaning will help to maintain the beauty and longevity of your deck and is a simple way of protecting your investment. We recommend you wash your deck once a year (in spring or summer) with water and soap (using a scrub brush if possible following the grooves in the boards).

It's recommended to use a blade to clean the space between each board to maintain good drainage and ventilation. For more information of maintenance, please refer to the table below.

### SCRATCH

Slight scratches don't matter and won't impact on the appearance of your decking. A light metal brush or a medium grade sanding paper can be used if you insist on removing such scratches.

### GENERAL DIRT & DEBRIS

The affected area should be sprayed with a hose to remove surface debris. Use warm soapy water and a soft bristle brush to remove dirt and debris from the embossing pattern.

### ICE & SNOW

A plastic shovel should be used to remove snow from your deck. Use Calcium, chloride or rock salt to melt the snow and ice from the deck surface.

### OIL/GREASE/FOOD

All food spills should be removed as soon as possible. The surface must be cleaned within seven days to maintain the stain warranty. To remove, spray off with a hose and use warm, soapy water and a soft bristle brush to remove spills from the embossing pattern.

### MOULD & MILDEW

If debris such as pollen and dirt is allowed to remain on the deck surface long term, mould can form and attack the protective layer. Using a hose and warm soapy water with a soft bristle brush, it is recommended to remove the mould.

### What is the composite decking made of?

Our decking is manufactured from HDPE (high density polyethylene) and recycled wood fibre. Unlike other composite decking products, our technology will prevent mould and mildew from penetrating and degrading the boards.

### How does the product fade over time?

There is a high quality UV stabilizer added to the product to make it fade resistant. Any colour fading that occurs is barely noticeable to the human eye.

### How many colors are available?

Ever Deck in 3 colours and Ever Shield in 3 colours.

### What lengths are available?

Deck boards are available in 3.6 meter lengths.

### Can I get a matching railing system?

Yes, please contact us for further information - [sales@laydex.ie](mailto:sales@laydex.ie)

### Can I install the composite decking myself?

Our composite decking is one of the easiest materials to install. Should be easy to install for both DIY enthusiasts and builders alike.

### What spacing is required for my joists?

The joists are to be spaced no further than 16" (400mm) on centre for standard installations and 12" (300mm) on centre for commercial applications. All stairs should be built 12" on centre.

### What is the lifespan of Teranna?

Expected lifespan in excess of 20 years under the condition of outdoor weather.

### Is there any guarantee with the decking products?

Yes, there's a 15-year guarantee for Ever Shield decking boards and 10-year guarantee for Ever Deck decking boards.

### How much more does composite cost compared with timber?

Composite decking is slightly more expensive than timber, but reduced maintenance costs add up to a greater value than timber – not to mention the value of all the time you get to spend enjoying your deck rather than working on it.

### Can I recycle decking boards when I decide to replace them?

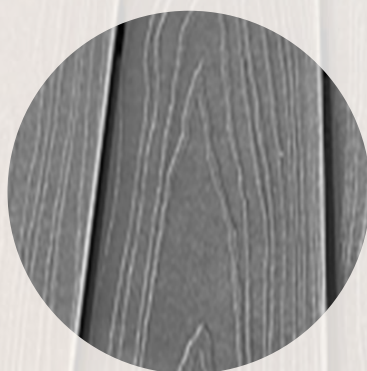
Of course. Teranna composite decking boards are 100% recyclable.

### How do I clean my deck?

The simplest method is to wash the deck with a mild soap and water, power washing offers excellent results as well.



 **TERANNA**  
COMPOSITE DECKING BOARDS



Unit 2A, Allied Industrial Estate, Kylemore Road, Dublin 10  
01 642 6600      sales@laydex.ie      www.laydex.ie